

# BioT™ Carrier

## Temperature Stability Chamber



BioT™ Carrier is a portable, programmable 2-8°C cooling solution for transporting and maintaining temperature-sensitive laboratory research samples.

Maintain and transport cold samples with confidence. Easily adjust the cooling temperature set point to raise or lower the chamber temperature to best suit your application. Carry cold samples between facilities, from clinic to lab, or over longer distances utilizing the car power adaptor.

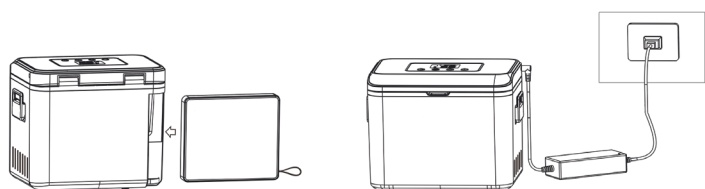
- Intuitive LCD display
- Rechargeable battery lasts up to 8 hours
- Audible alarm when battery is low
- Magnetized lid
- Rugged and lightweight



BioT Carrier comes complete with rechargeable battery, AC power adaptor, car power adaptor and shoulder strap.

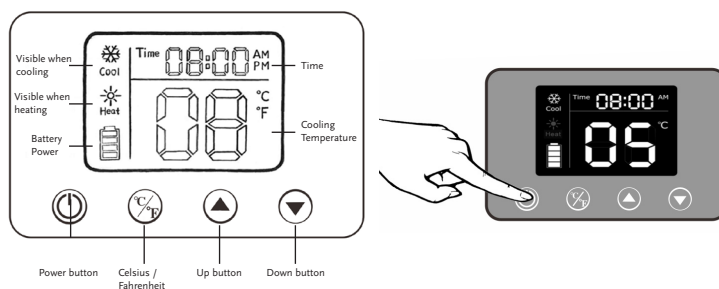
### Flexible Power Options

BioT™ Carrier offers flexible power options to fit your application. AC power adaptor enables long-term stationary use. Rechargeable battery is easy to install, lasts up to 8 hours and allows portable short-term transport. For applications that require longer transport, a car power adaptor is included.



### Intuitive LCD Display

The LCD display is easy to operate. Digitally program cooling temperature set point (°C/°F) and time. Display also indicates battery status and audible alarm signals when battery is low.



## Specifications

Refrigeration Space (L x W x H)	18.0 x 10.0 x 8.0 cm (7.1 x 3.9 x 3.2 in)
Refrigeration Temperature	2°C to 8°C (ambient 32°C)
Input/Output Voltage (power adaptor)	AC100V - 240V / DC9.0V
Output Current (power adaptor)	4A
Input/Output Voltage (battery)	AC100-240V / DC9.0V
Output Current (battery)	2A
Input/Output Voltage (car adaptor)	DC12V / DC9.0V
Current (vehicle power)	4A
Voltage (lithium battery)	DC 7.4V
Capacity (lithium battery)	16000mAh
Power Rating	DC9.0V / 18W, DC 7.4V/13W
Weight (with battery)	5.3 kg (11.6 lbs)
Certifications	CE, cULus



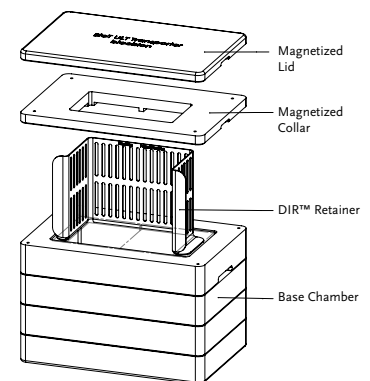
## Ordering Information

Item No.	Description	Dimensions (L x W x H)
BCS-528	BioT™ Carrier, complete with rechargeable battery, AC power adaptor, car adaptor, shoulder strap, accessories bag	Internal: 18.0 x 10.0 x 8.0 cm (7.1 x 3.9 x 3.2 in) External: 24.0 x 17.0 x 19.5 cm (9.5 x 6.7 x 7.7 in)
BCS-801	BioT Carrier rechargeable battery	
BCS-802	BioT Carrier AC power adaptor/battery charger with US, EU and UK plugs	
BCS-803	BioT Carrier car adaptor	
BCS-804	BioT Carrier shoulder strap	

## Ultra-Low BioT™ Temperature Stability System



**BioT ULT Transporter** is a dry ice-based cooling solution that maintains stable ultra-low temperature (<-70°C to -50°C) throughout its entire 8-inch working depth over an 8 hour period with the lid off, enabling secure handling, freezing and transfer of temperature-sensitive samples. With the lid on, the transporter maintains <-70°C to -50°C in the chamber for over 24 hours, enabling longer sample transport with virtually no temperature variation or risk of elevated temperatures that could compromise valuable biomaterials. The bottom 4 to 6 inches of BioT ULT Transporter remain ≤ -70°C for hours, simulating



an ultra-low freezer environment and allowing for collection and freezing of biological samples at collection site.

The patent-pending DIR™ cooling insert technology inside the BioT ULT Transporter harnesses cold convection for efficient, stable, and hours-long dry ice based cooling. Dry ice is added to the cavity between the DIR retainer and base chamber walls, filling to the top of the retainer (5.4 kg, 12.8 lb). The ventilated thermo-conductive retainer ensures uniform and consistent gas circulation to keep the entire base chamber at ultra-low temperature. Up to 8 standard 2-inch cryostorage boxes will remain safely below -50°C for over 8 hours with the lid open and over 24 hours with the lid closed with one charge of dry ice.

## Ordering Information

Item No.	Description	Dimensions (L x W x H)
BCS-518P	BioT™ ULT Transporter, purple	Internal: 28.7 x 16.2 x 20.3 cm (11.3 x 6.4 x 8.0 in) External: 50.8 x 33.8 x 37.6 cm (20.0 x 13.3 x 14.8 in)



BioCision, LLC 101 Glacier Point Road, Suite E USA sales@biocision.com www.biocision.com

© 2014, BioCision, LLC. All rights reserved. BioCision, Standardizing Samples, BioT designations are trademarks owned by BioCision, LLC. PN 20018 Rev 2